



eco-
WORLD USA

Full-Spectrum LED Lighting
for Business and Government

Company Profile



**Full-Spectrum LED Lighting
for Business and Government**

Company Summary

ECO World USA is a California-based L.L.C green lighting distributor. ECO World USA offers a wide range of green lighting products and solutions including solid state lighting for commercial or individual consumer needs.

Mission

It is ECO World USA's mission to provide the finest green lighting solutions for local governments, small businesses and individual consumers. Through careful analysis, attentive customer support, and cost effective solutions, ECO World USA will become a stable business serving the nationwide.

Keys to Success

ECO World USA has identified three keys to its success. The first is the need to offer solutions that are based on market demand. The second is to ensure that all of its offerings are based on economic justifications; the solution should make sense beyond the environmental considerations because it has long-term economic value. The third is to provide comprehensive customer support and education unmatched by its competitors. If these keys are followed, the likelihood of success will significantly increase.

Our goal is to **“Save Energy
& Save the Earth”**



Table of Content

Outdoor		
street lights	4
flood lights	6
garden lights	8
Indoors		
tubes	10
par	11
br	12
mr16	13
candle lights	14
high bay	15
Signals	16
Retrofit Kits		
modules	18
drivers	23

OUTDOORS



street lights



Street Light Specifications

Street Light	
Input Voltage / Frequency:	100~277V AC / 50/60Hz
Power Consumption/Equivalent:	56w(100w), 60w(120w), 100w(200w), 112w(250w), 120w(250w), 160w(400w)
Light Distribution:	IESNA Type I - Type V
Color Temperature (CCT):	Warm, Natural, Cool
Light Effects:	Clear
Application:	Street, Freeway, Parking Lot
Option:	Photo cell, Beam Angle

For more information or any lights not listed in the catalogue, please call us at 626-433-1071 or visit us at www.ecoworldusa.com.

OUTDOORS



For more information or any lights not listed in the catalogue, please call us at 626-433-1071 or visit us at www.ecoworldusa.com.



Flood Light Specifications

Flood Light	
Input Voltag / Frequency:	90-277V AC / 50/60Hz
Power Consumption:	48w(100w), 100w(200w), 200w(400w)
Color Temperature (CCT):	Warm, Natural , Cool
Application:	Parking Lot, Warehouse
Light Effects:	Clear
Optional:	Beam Angle

flood lights



OUTDOORS



wall washers



Wall Washer Specifications

Wall Washer	
Input Voltage / Frequency:	100-277V AC / 50-60Hz
Power Consumption:	24w (100w)
Color Temperature (CCT):	Warm, Cool





garden lights



Garden Light Specifications

Garden Light:

Input Voltag / Frequency:	85-277V AC / 50/60Hz
Power Consumption:	28w(60w), 36w(70w), 65w(120w)
Color Temperature (CCT):	Warm, Natural, Cool
Application:	Parking Lot, Street
Lamp Base:	E26, E40
Light Effects:	Clear

For more information or any lights not listed in the catalogue, please call us at 626-433-1071 or visit us at www.ecoworldusa.com.



INDOORS

tube



LED Tube Specifications

LED Tube	
Input Voltage / Frequency:	100~277V AC / 50/60Hz
Power Consumption:	9w(20w), 18w(32w), 20w(40w), 30w(60w), 40w(80w)
Color Temperature(CCT):	Warm, Natural, Cool
Application:	Indoor, Office, Home, Factory
Light Effect:	Clear, Frosted
Option:	Light Beam Angle 108°
Diameter Imperial Base:	T8
Length:	2', 4', 6', 8'

For more information or any lights not listed in the catalogue, please call us at 626-433-1071 or visit us at www.ecoworldusa.com.



Par Specifications

PAR30, 38	
Input Voltage / Frequency:	120/230V AC / 50/60Hz
Power Consumption:	7w(50w), 12w(100w)
Color Temperature (CCT):	Warm, Natural, Cool
Application:	Indoor
Lamp Base:	E26
Light Effects:	Clear, Frosted
Option:	Beam Angle



par



br



Br Specifications

BR30,40	
Input Voltage / Frequency:	120/23V AC / 50/60Hz
Power Consumption:	10w(40w), 15w(60w), 20w(80w), 35w(140w)
Color Temperature (CCT):	Warm, Natural, Cool
Application:	Indoor
Lamp Base:	E26
Option :	Beam Angle: 60°, 120°, Dimmable





INDOORS

mr16



MR16 Specifications

MR16	
Input Voltage / Frequency:	100~240V AC or 12V DC
Power Consumption:	5w(30w) , 6w(40w), 7w(50w)
Color Temperature (CCT):	Warm, Natural, Cool
Application:	Restaurant, Jewelry Store
Lamp Base:	GX5.3; GU10; E12 or E14
Option:	Beam Angle 25° , 38° , 50°

For more information or any lights not listed in the catalogue, please call us at 626-433-1071 or visit us at www.ecoworldusa.com.

INDOORS



candle lights



Bulb (Candle) Specifications

Light Bulb	
Input Voltage / Frequency	120/230V AC / 50/60Hz
Power Consumption	1.6~2.0w(10w), 3w(15w)
Color(CCT)	Red; Green; Blue (Warm, Cool)
Application	Indoor
Lamp Base	E12; E14
Light Effects	Clear, Frosted
Option	Beam Angle, Dimmable





INDOORS

high bay

High Bay Specifications

High Bay Light	
Input Voltage / Frequency:	90~277V AC / 50/60Hz
Power Consumption:	50w(100w), 80w(160w), 100w(250w), 150w(400w)
Color Temperature (CCT):	Cool
Application:	Warehouse, Factory
Option:	Beam Angle

For more information or any lights not listed in the catalogue, please call us at 626-433-1071 or visit us at www.ecoworldusa.com.

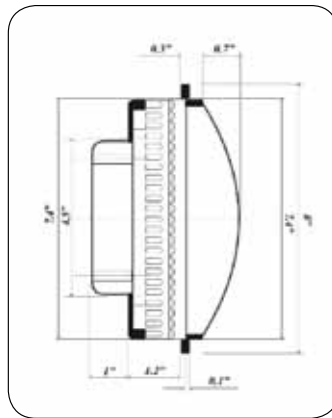
SIGNAL



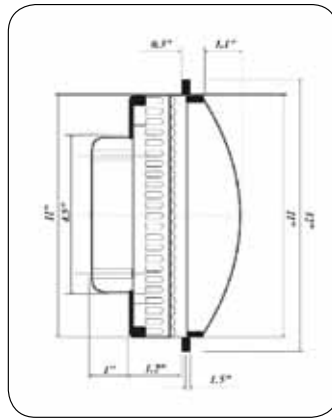
signal
lights



8" LED traffic light



12" LED traffic light and LED signal light arrow



SIGNAL

Signal Light (8" Ball) Specifications

Signal Light (8" Ball)	Red	Yellow	Green
Nominal Applied Voltage:	120VAC / 60Hz		
Power Consumption:	4.0	7.7	5.0
On Axis Luminous Intensity (min):	250 cd	350 cd	350 cd

Signal Light (12" Ball) Specifications

Signal Light (12" Ball)	Red	Yellow	Green
Nominal Applied Voltage:	120VAC / 60Hz		
Power Consumption:	7.9	13.5	10.5
On Axis Luminous Intensity (min):	450 cd	350 cd	450 cd

Signal Light (12" Arrow) Specifications

Signal Light (12" Arrow)	Red	Yellow	Green
Nominal Applied Voltage:	120VAC / 60Hz		
Power Consumption:	5.4	6.7	7.8
On Axis Luminous Intensity (min):	5,500 cd/m ²	11,000 cd/min ²	11,000 cd/m ²



LED retrofit kit & Roadway Lighting

Eco World has developed several new LED Module systems using the most advanced heat dissipation materials to meet the requirements of retrofit and replacement market for millions of existing Street light, Flood light, Parking area light & High Bay. Using EcoValeur LED products not only can save time & money but also can help the world to save energy and environment as well. Our experienced engineering team can provide solutions for most of the retrofit designs and also help our customer to solve any problems if needed.

Our goal is "Save Energy & Save the Earth".



RETROFIT KITS



Streetlight, Floodlight,
Parking area light &
High Bay

RETROFIT KITS



31W & 35W High Power

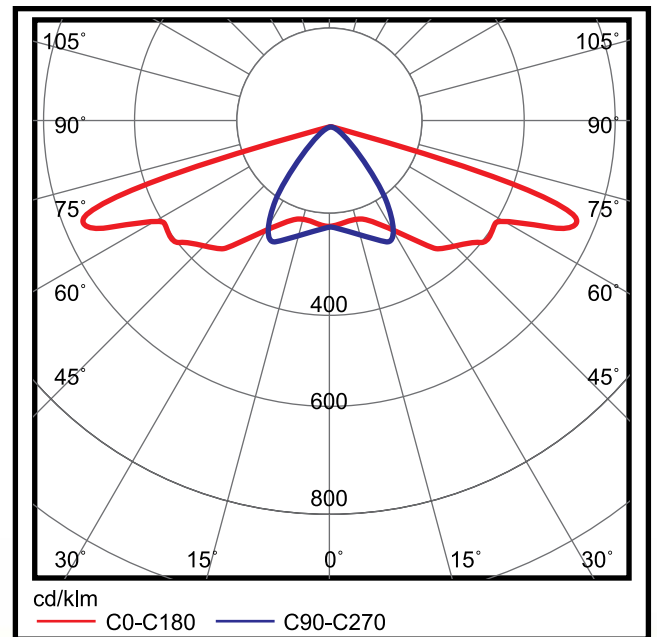
New Thermal Design using Vapor Chamber technology can dissipate the heat faster than conventional type.

Easy to design in any new or existing housing LED Street Light, Flood Light, Use Nichia/Cree LEDs

31W (5300K, 2508LM, 50V/550mA, 60~120 degree angle, IP65)
35W (6000K, 3060 LM, 48V/700mA, 90~140 degree angle, IP65)



RETROFIT KITS



28w LED high pow-

Type II, Type III or Type V
Use Cree MX6 LED

Each module 28.8w total 2,246 LM



RETROFIT KITS

28W LED High Power Mod-

Module assembly examples to use in Street Light



RETROFIT KITS



drivers



Driver Specifications

General Type
PFV Function Type
AC Dimming Type
DC-AC LED Driver

Universal AC Input: 100-240V/100-277V
15w, 25w, 30w, 60w, 75w, 100w, 150w, 200w

RETROFIT KITS



Full-Spectrum LED Lighting
for Business and Government

Headquarter:

9950 E. Baldwin Place
El Monte, CA 91731
T: 626 433 1071
F: 626 433 1079
info@ecoworldusa.com

Alabama Office:
2188 Lime Kiln Rd.
Muscle Shoals, AL 35661
info.al@ecoworldusa.com

New York Office:
3 Mirrielees Circle
Great Neck, NY 11021
info.ny@ecoworldusa.com

Visit us at www.ecoworldusa.com

Our goal is to **“Save Energy
& Save the Earth”**

